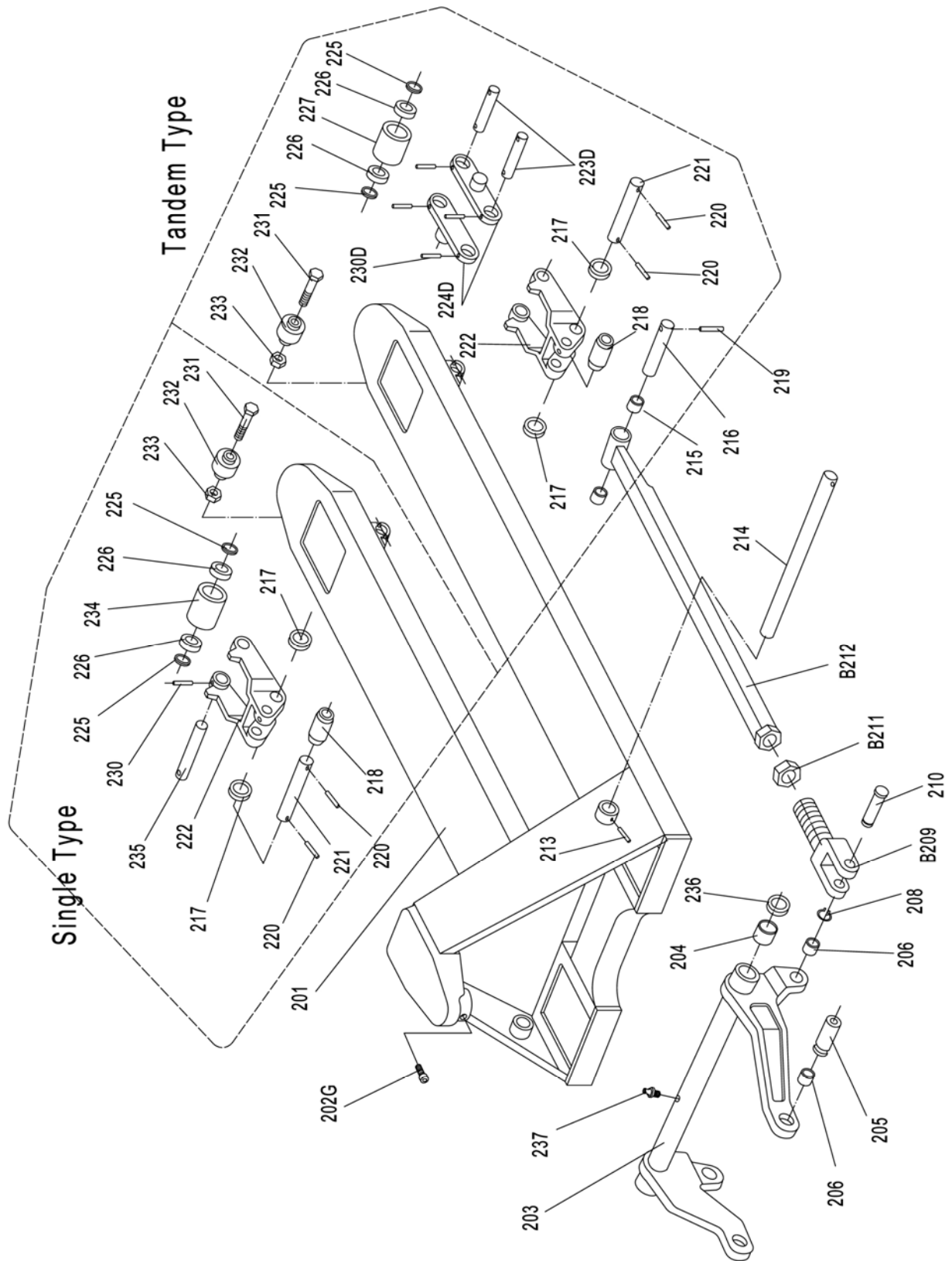


# CONTENTS

1	Fork Frame Kit .....	1
1.1	HPTA20, HPTD20 – Fork Frame .....	1
1.2	HPTC20, HPTW20 – Fork Frame .....	3
1.3	HPTD20-E – Fork Frame .....	5
2	Handle Kit .....	7
2.1	HPTA20 – handle.....	7
2.2	HPTC20, HPTD20 and HPTD20-E – handle .....	8
2.3	HPTW20 – handle .....	9
3	Pump Kit .....	10
3.1	HPTA20 – Pump .....	10
3.2	HPTC20 – Pump.....	16
3.3	HPTD20 – Pump.....	18
3.4	HPTW20 – Pump.....	20
3.5	HPTD20-E – Pump .....	22
4	Option: Foot Brake.....	24

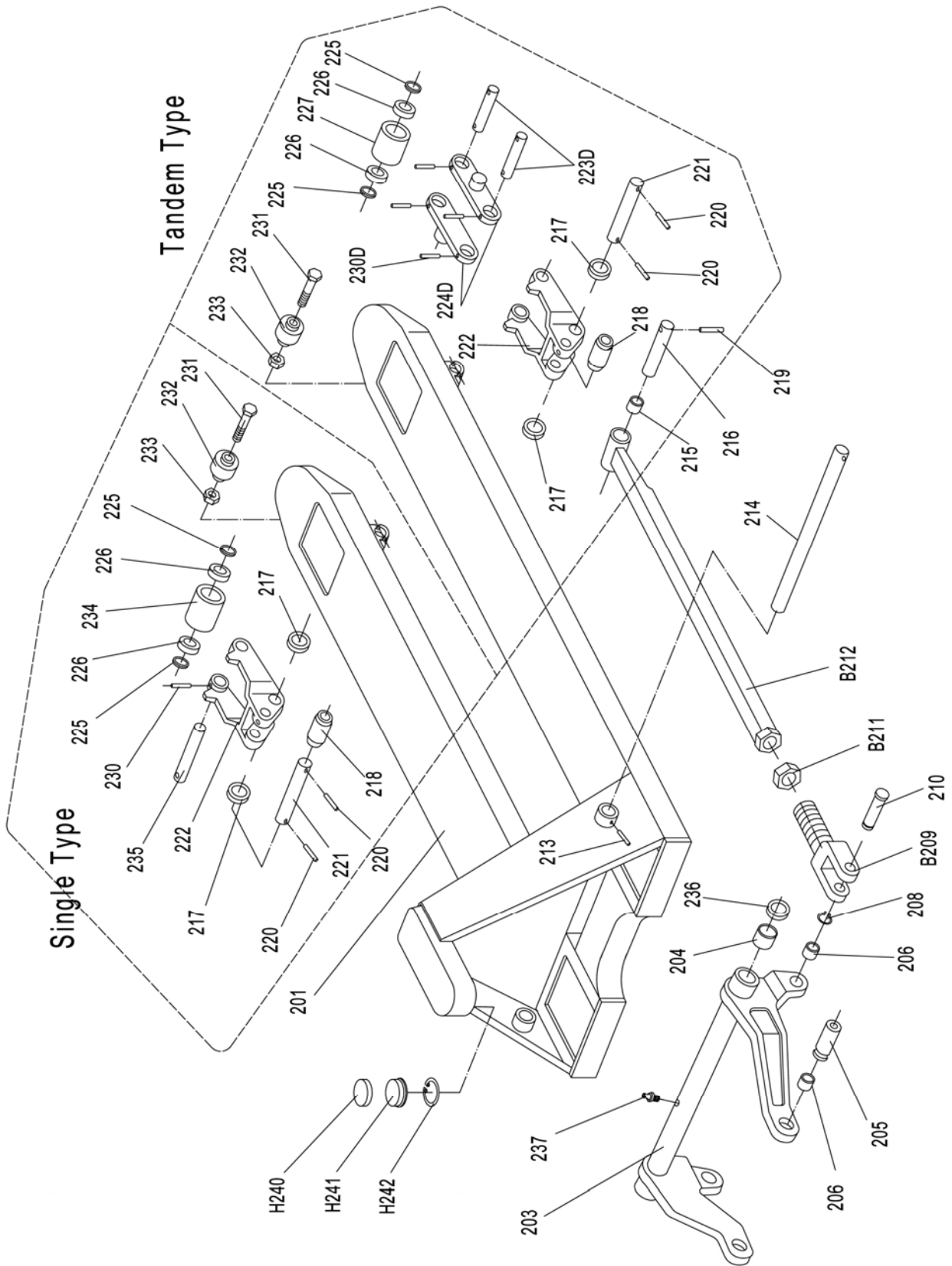
**1 Fork Frame Kit**  
**1.1 HPTA20, HPTD20 – Fork Frame**



**LIST OF FORK FRAME for HPTA20, HPTD20**

<b>No.</b>	<b>Part No.</b>	<b>Description</b>	<b>Qty.</b>	<b>Remark</b>
201	A201M	Fork Frame	1	
202G	A202G	Bolt	1	
203	A203M-N	Rock - Arm	1	
204	A204	Bushing, 25*29*25	2	
205	A205	Shaft	2	
206	A206	Bushing, 16*18*15	4	
207				
208	A208	Retaining Ring	2	
B209	AB209	Joint	2	
210	A210	Pin	2	
B211	AB211	Nut	2	
B212	AB212	Pushing Rod	2	
213	A213M	Elastic Pin	2	
214	A214M-N	Shaft	1	
215	A215	Bushing	4	
216	A216	Shaft	2	
217	A217	Intermediate Roller	4	
218	A218	Extending Roller	2	
219	A219	Elastic Pin	2	
220	A220	Elastic Pin	4	
221	A221	Shaft	2	
222	A222	Frame of Roller	2	
223D	A223D	Shaft for Roller	4	For double wheel
224D	A224D	Linking Plate	4	For double wheel
225	A225	Washer	8 or 4	
226	A226	Bearing	8 or 4	
227	A227	Loading Roller	4	For double wheel
228				
229				
230D	A230D	Elastic Pin	8	For double wheel
230	A230	Elastic Pin	2	For single wheel
231	A231	Bolt	2	
232	A232	Enter Roller	2	
233	A233	Locking Nut	2	
234	A234	Loading Roller	2	For single wheel
235	A235	Shaft for Roller	2	For single wheel
236	A236	Washer	2	
237	A237	Grease Cup, M6	1	

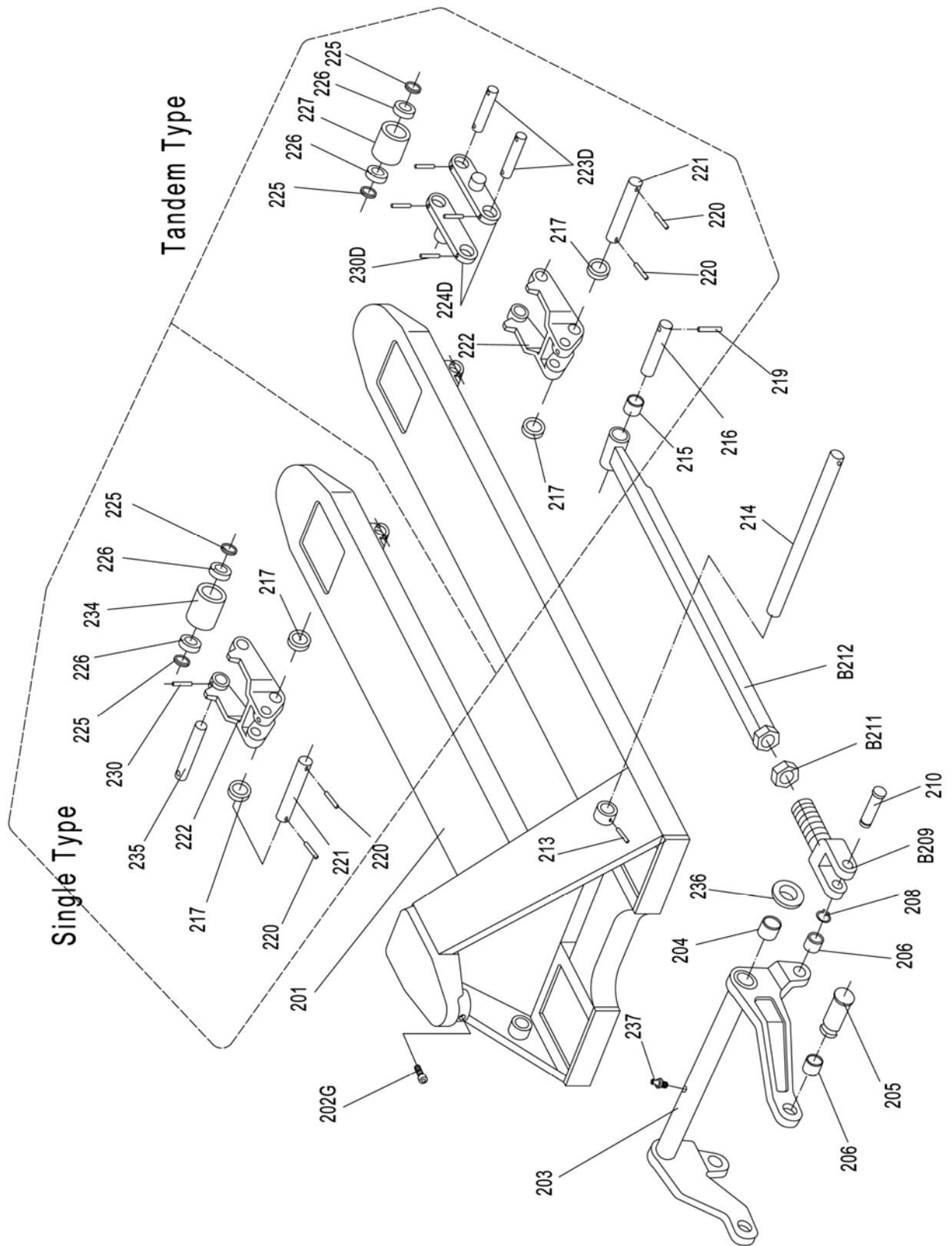
## 1.2 HPTC20, HPTW20 – Fork Frame



**LIST OF FORK FRAME for HPTC20, HPTW20**

<b>No.</b>	<b>Part No.</b>	<b>Description</b>	<b>Qty.</b>	<b>Remark</b>
201	H201M	Fork Frame	1	
202				
203	A203M-N	Rock - Arm	1	
204	A204	Bushing, 25*29*25	2	
205	A205	Shaft	2	
206	A206	Bushing, 16*18*15	4	
207				
208	A208	Retaining Ring	2	
B209	AB209	Joint	2	
210	A210	Pin	2	
B211	AB211	Nut	2	
B212	AB212	Pushing Rod	2	
213	A213M	Elastic Pin	2	
214	A214M-N	Shaft	1	
215	A215	Bushing	4	
216	A216	Shaft	2	
217	A217	Intermediate Roller	4	
218	A218	Extending Roller	2	
219	A219	Elastic Pin	2	
220	A220	Elastic Pin	4	
221	A221	Shaft	2	
222	A222	Frame of Roller	2	
223D	A223D	Shaft for Roller	4	For double wheel
224D	A224D	Linking Plate	4	For double wheel
225	A225	Washer	8 or 4	
226	A226	Bearing	8 or 4	
227	A227	Loading Roller	4	For double wheel
228				
229				
230D	A230D	Elastic Pin	8	For double wheel
230	A230	Elastic Pin	2	For single wheel
231	A231	Bolt	2	
232	A232	Enter Roller	2	
233	A233	Locking Nut	2	
234	A234	Loading Roller	2	For single wheel
235	A235	Shaft for Roller	2	For single wheel
236	A236	Washer	2	
237	A237	Grease Cup, M6	1	
H240	H240	Rubber Seat	1	
H241	H241	Seat of Bearing	1	
H242	H242	Retaining Ring	1	

### 1.3 HPTD20-E – Fork Frame

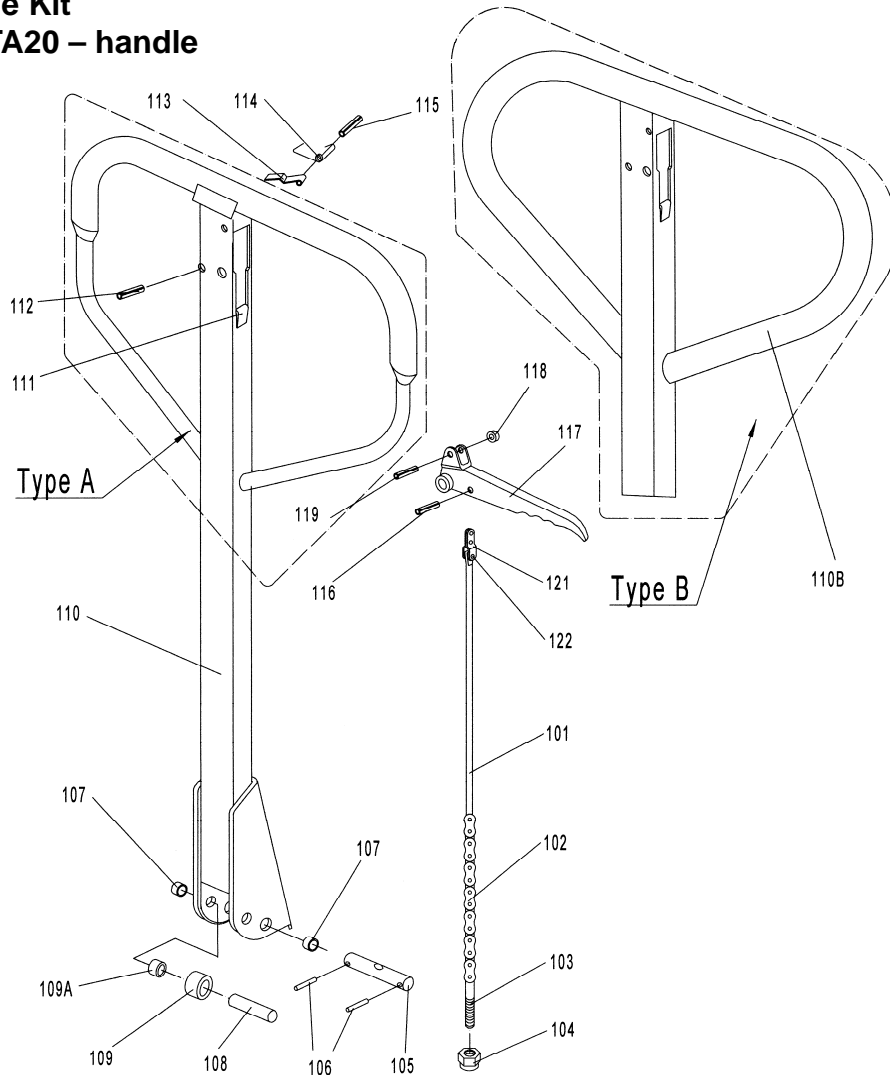


**LIST OF FORK FRAME for HPTD20-E**

<b>No.</b>	<b>Part No.</b>	<b>Description</b>	<b>Qty.</b>	<b>Remark</b>
201	D201M	Fork Frame	1	
202G	A202G	Bolt	1	
203	A203M-N	Rock - Arm	1	
204	A204	Bushing, 25*29*25	2	
205	D205	Shaft	2	
206	A206	Bushing, 16*18*15	4	
207				
208	A208	Retaining Ring	2	
B209	AB209	Joint	2	
210	A210	Pin	2	
B211	AB211	Nut	2	
B212	AB212	Pushing Rod	2	
213	A213M	Elastic Pin	2	
214	A214M-N	Shaft	1	
215	A215	Bushing	4	
216	A216	Shaft	2	
217	A217	Intermediate Roller	4	
218				
219	A219	Elastic Pin	2	
220	A220	Elastic Pin	4	
221	A221	Shaft	2	
222	A222	Frame of Roller	2	
223D	A223D	Shaft for Roller	4	For double wheel
224D	A224D	Linking Plate	4	For double wheel
225	A225	Washer	8 or 4	
226	A226	Bearing	8 or 4	
227	A227	Loading Roller	4	For double wheel
228				
229				
230D	A230D	Elastic Pin	8	For double wheel
230	A230	Elastic Pin	2	For single wheel
231				
232				
233				
234	A234	Loading Roller	2	For single wheel
235	A235	Shaft for Roller	2	For single wheel
236	A236	Washer	2	
237	A237	Grease Cup, M6	1	

## 2 Handle Kit

### 2.1 HPTA20 – handle



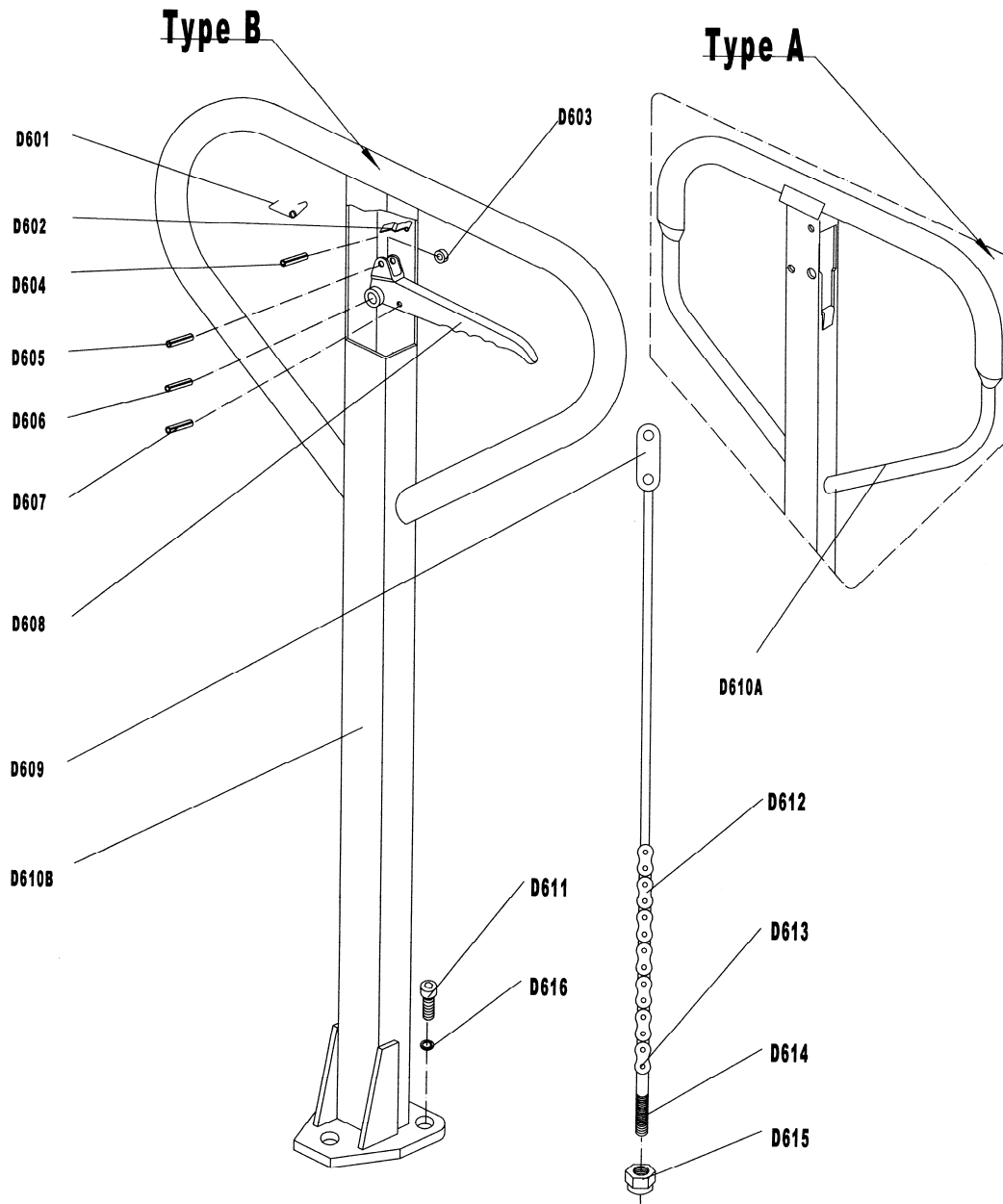
**LIST of DRAW-BAR for HPTA20**

No.	Part No.	Description	Qty.	Remark
101	A101	Release Rod	1	
102	A102	Chain	1	
103	A103	Adjusting Bolt	1	
104	A104	Adjusting Nut	1	
105	A105	Axle with Hole	1	
106	A106	Elastic Pin	2	
107	A107	Bushing	2	
108	A108	Roller Pin	1	
109	A109	Pressure Roller	1	
109A	A109A	Bushing	2	
110	A110	Draw-bar	1	For Type A
110B	A110B	Draw-bar	1	For Type B
111	A111	Stop Rubber	1	
112	A112	Elastic Pin	1	
113	A113	Blade Spring	1	
114	A114	Spring	1	
115	A115	Elastic Pin	1	
116	A116	Elastic Pin	1	
117	A117	Control Handle	1	
118	A118	Roller	1	
119	A119	Elastic Pin	1	
120				
121	A121	Pull Board	1	



122	A122	Pin	1
-----	------	-----	---

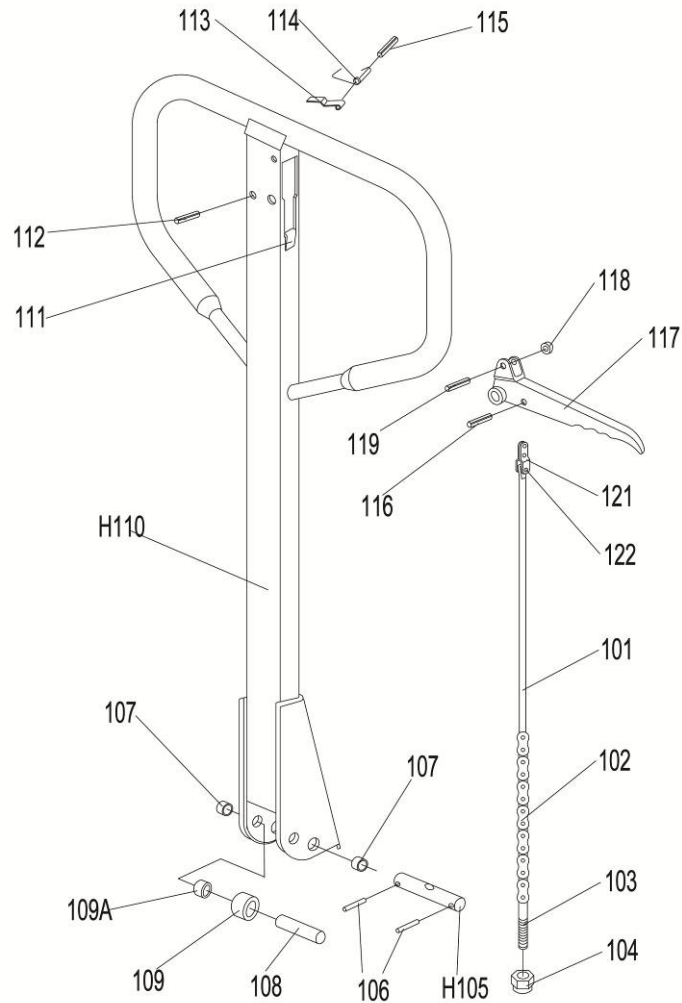
## 2.2 HPTC20, HPTD20 and HPTD20-E – handle



**LIST of DRAW-BAR for HPTC20, HPTD20 and HPTD20-E**

No.	Part No.	Description	Qty.	Remark
D601	D601	Spring	1	
D602	D602	Blade Spring	1	
D603	D603	Roller	1	
D604	D604	Elastic Pin	1	
D605	D605	Elastic Pin	1	
D606	D606	Elastic Pin	1	
D607	D607	Elastic Pin	1	
D608	D608	Control Handle	1	
D609	D609	Pull Board	1	
D610A	D610A	Handle	1	For Type A
D610B	D610B	Handle	1	For Type B
D611	D611	Screw	3	
D612	D612	Chain	1	
D613	D613	Pin	1	
D614	D614	Adjusting Bolt	1	
D615	D615	Adjusting Nut	1	
D616	D616	Elastic Washer	3	

## 2.3 HPTW20 – handle

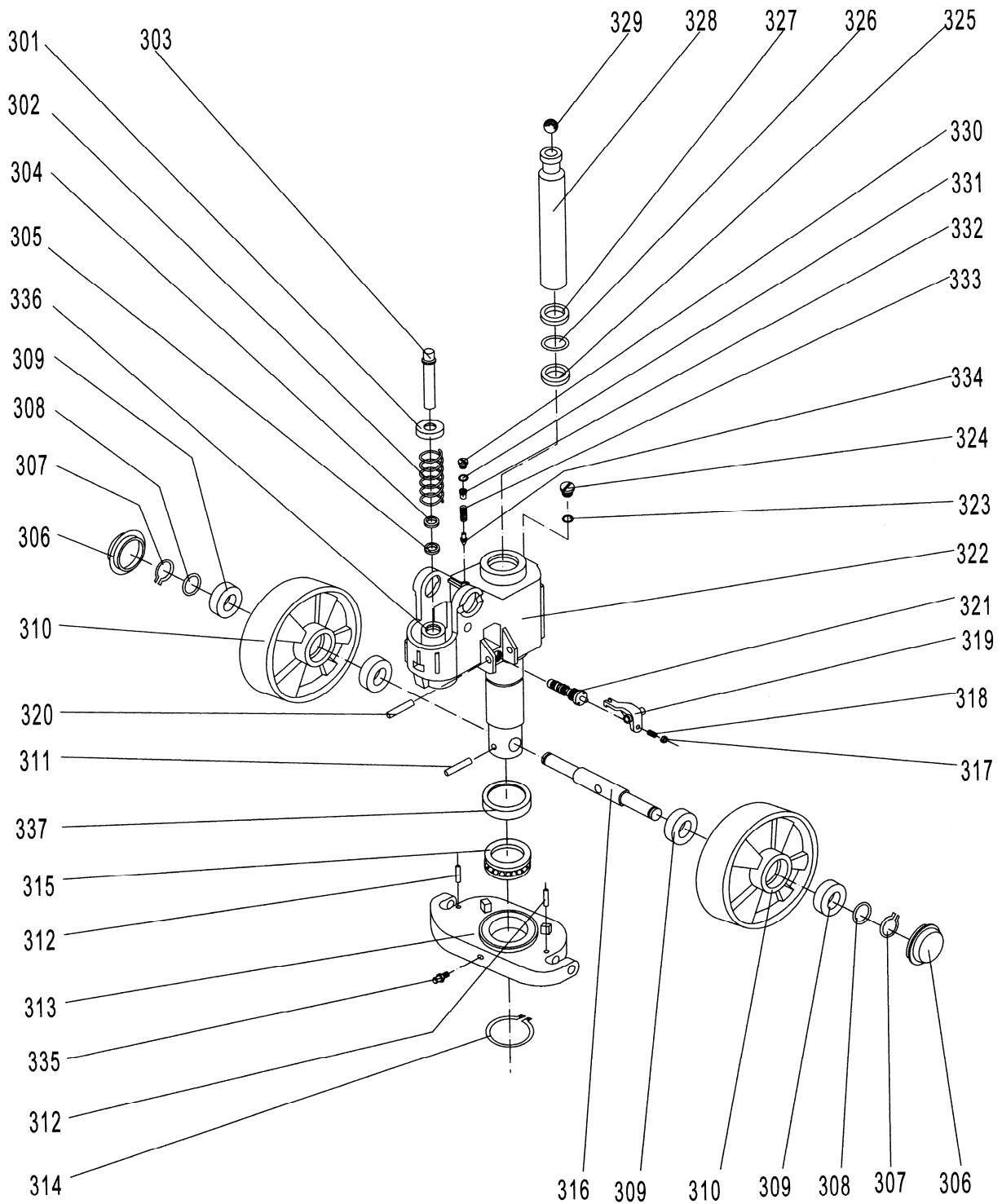


**LIST of DRAW-BAR for HPTW20**

No.	Part No.	Description	Qty.	Remark
101	A101	Release Rod	1	
102	A102	Chain	1	
103	A103	Adjusting Bolt	1	
104	A104	Adjusting Nut	1	
H105	H105	Axle with Hole	1	
106	A106	Elastic Pin	2	
107	A107	Bushing	2	
108	A108	Roller Pin	1	
109	A109	Pressure Roller	1	
109A	A109A	Bushing	2	
H110	H110	Draw-bar	1	
111	A111	Stop Rubber	1	
112	A112	Elastic Pin	1	
113	A113	Blade Spring	1	
114	A114	Spring	1	
115	A115	Elastic Pin	1	
116	A116	Elastic Pin	1	
117	A117	Control Handle	1	
118	A118	Roller	1	
119	A119	Elastic Pin	1	
120				
121	A121	Pull Board	1	
122	A122	Pin	1	

**3 Pump Kit**  
**3.1 HPTA20 – Pump**

# Type A pump

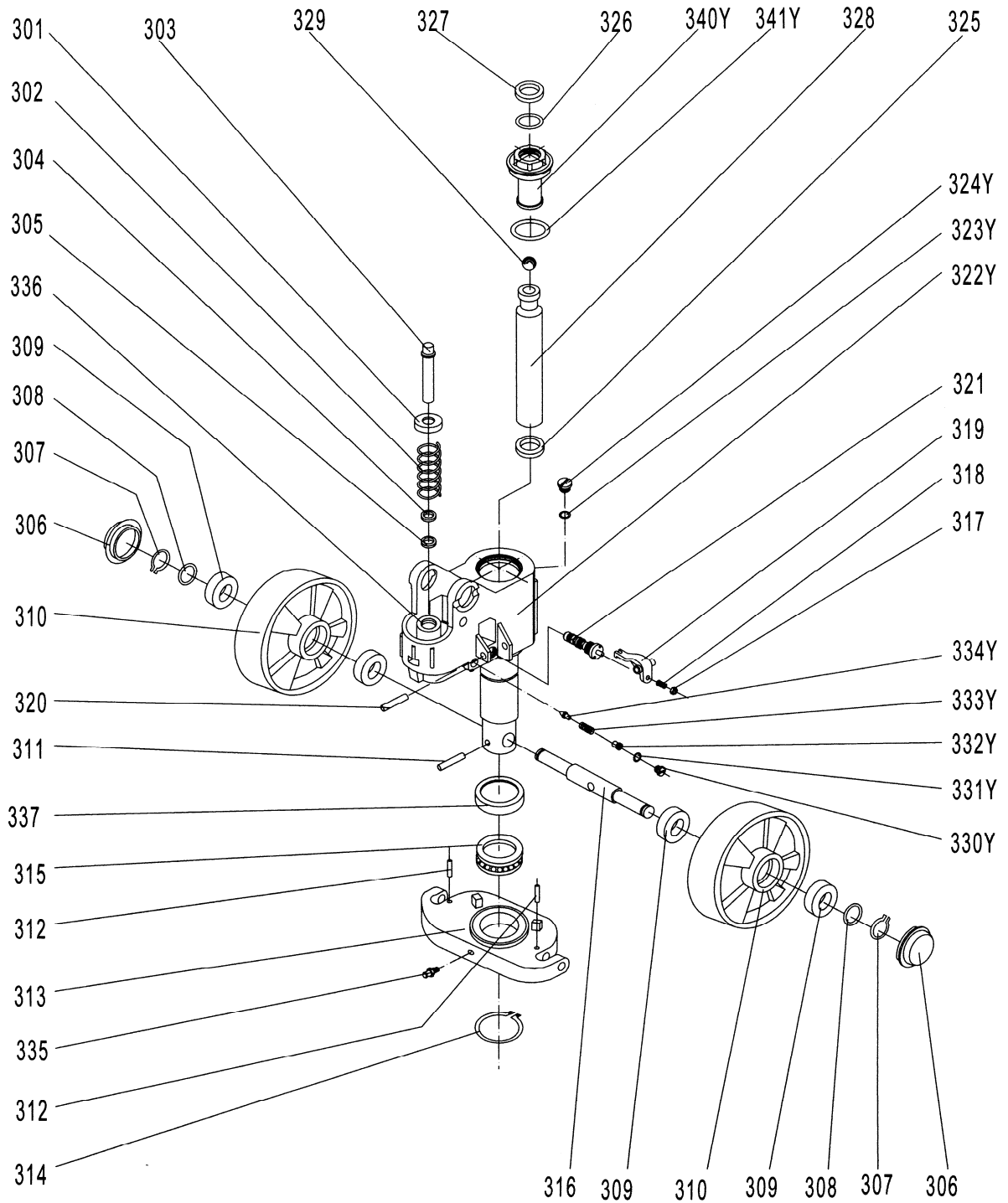


## HPTA20 -- Type A hydraulic pump parts list

No.	Part No.	Description	Qty.	Remark
301	A301	Spring Cap	1	
302	A302	Spring	1	
303	A303	Pump Piston	1	
304	A304	Dust Ring	1	
305	A305	Seal	1	
306	A306	Dust Cover	2	
307	A307	Locking Ring	2	
308	A308	Washer	2	
309	A309	Bearing	4	
310	A310	Loading Wheel	2	
311	A311	Elastic Pin	1	
312	A312	Elastic Pin	2	
313	A313	Thrust Plate	1	
314	A314	Retaining Ring	1	
315	A315	Bearing	1	
316	A316	Shaft of loading Wheel	1	
317	A317	Nut	1	
318	A318	Screw	1	
319	A319	Lever Plate	1	
320	A320	Elastic Pin	1	
321	A321	Valve Cartridge	1	
322	A322	Pump Body	1	
323	A323	Seal Washer	1	
324	A324	Screw Plug	1	
325	A325	Seal	1	
326	A326	O – Ring	1	
327	A327	Dust Ring	1	
328	A328M	Piston Rod	1	
329	A329	Steel Ball	1	
330	A330	Screw Plug	1	
331	A331	O – Ring	1	
332	A332	Bolt	1	
333	A333	Spring	1	
334	A334	Spindle of Safety Valve	1	
335	A335	Grease Cup	1	
336	A336	Cylinder	1	
337	A337	Cover of Bearing	1	

HPTA20

# Type Y Pump

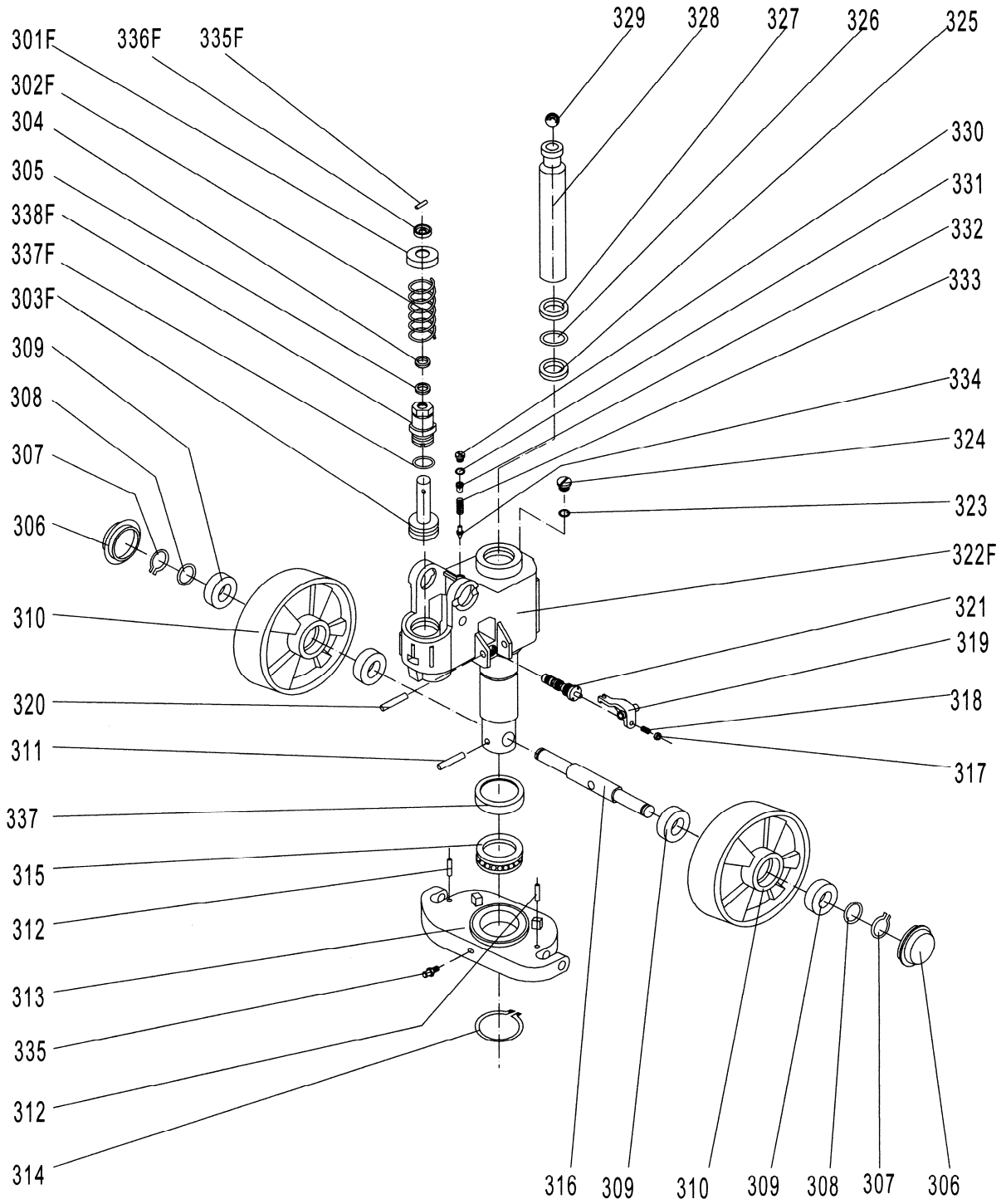


### HPTA20 -- Type Y hydraulic pump

No.	Part No.	Description	Qty.	Remark
301	A301	Spring Cap	1	
302	A302	Spring	1	
303	A303	Pump Piston	1	
304	A304	Dust Ring	1	
305	A305	Seal	1	
306	A306	Dust Cover	2	
307	A307	Locking Ring	2	
308	A308	Washer	2	
309	A309	Bearing	4	
310	A310	Loading Wheel	2	
311	A311	Elastic Pin	1	
312	A312	Elastic Pin	2	
313	A313	Thrust Plate	1	
314	A314	Retaining Ring	1	
315	A315	Bearing	1	
316	A316	Shaft of loading Wheel	1	
317	A317	Nut	1	
318	A318	Screw	1	
319	A319	Lever Plate	1	
320	A320	Elastic Pin	1	
321	A321	Valve Cartridge	1	
322Y	A322Y	Pump Body	1	Only for Type Y Pump
323Y	A323Y	Seal Washer	1	
324Y	A324Y	Screw Plug	1	
325	A325	Seal	1	
326	A326	O – Ring	1	
327	A327	Dust Ring	1	
328	A328M	Piston Rod	1	
329	A329	Steel Ball	1	
330Y	A330Y	Screw Plug	1	Only for Type Y Pump
331Y	A331Y	O - Ring	1	
332Y	A332Y	Bolt	1	
333Y	A333Y	Spring	1	
334Y	A334Y	Spindle of Safety Valve	1	
335	A335	Grease Cup	1	
336	A336	Cylinder	1	
337	A337	Cover of Bearing	1	
340Y	A340Y	Cover with Screw	1	Only for Type Y Pump
341Y	A341Y	O - Ring	1	

# HPTA20

## Quick Lifting Pump

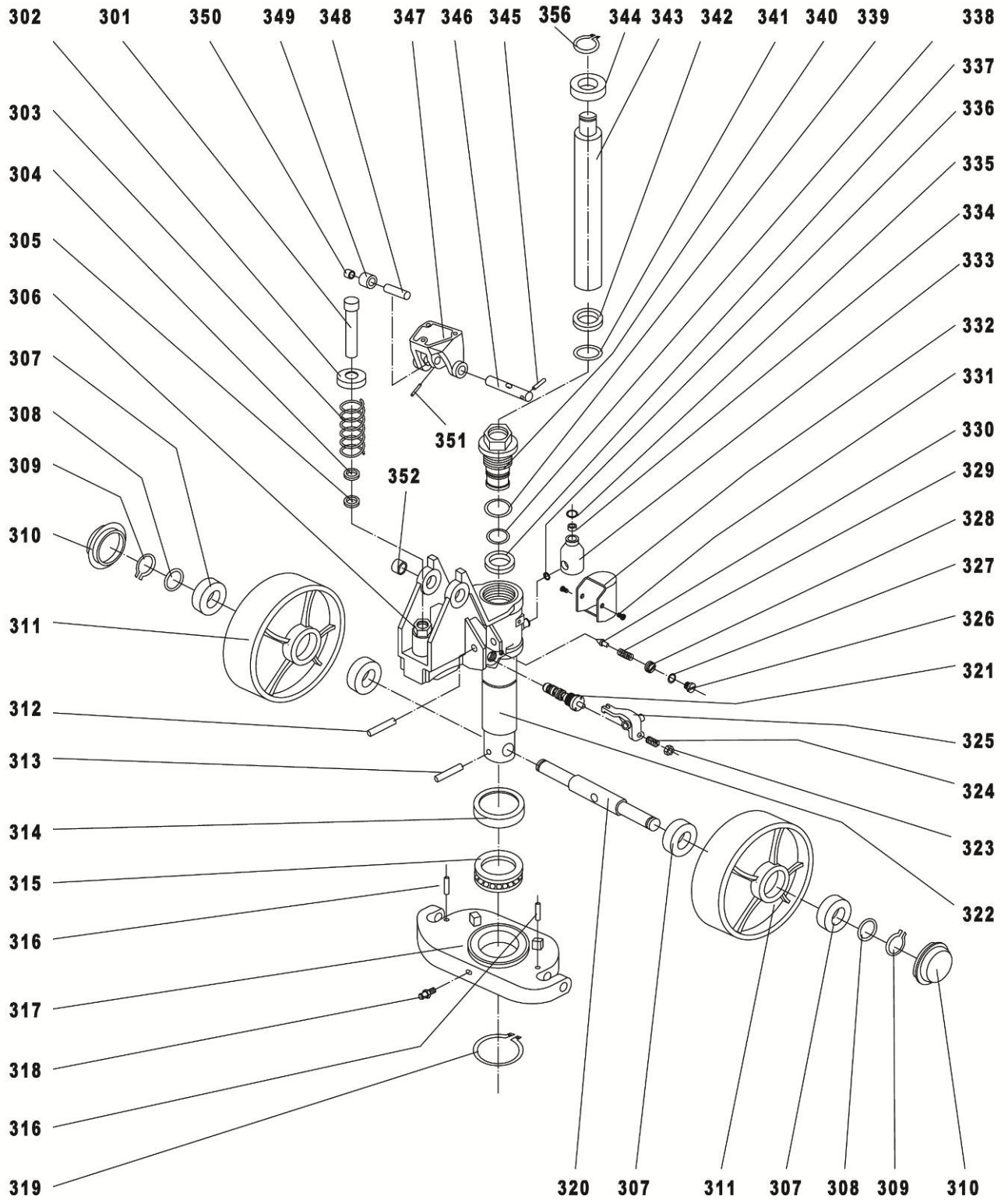


## HPTA20 -- QUICK LIFTING HYDRAULIC PUMP PARTS LIST

No	Part No.	Description	Qty.	Remark
301F	A301F	Spring Cap	1	Only for Quick Lifting Pump
302F	A302F	Spring	1	
303F	A303F	Pump Piston for Quick Lifting	1	
304	A304	Dust Ring	1	
305	A305	Seal	1	
306	A306	Dust Cover	2	
307	A307	Spring Washer	2	
308	A308	Washer	2	
309	A309	Bearing	4	
310	A310	Loading Wheel	2	
311	A311	Elastic Pin	1	
312	A312	Elastic Pin	2	
313	A313	Thrust Plate	1	
314	A314	Retaining Ring	1	
315	A315	Bearing	1	
316	A316	Shaft of Loading Wheel	1	
317	A317	Nut	1	
318	A318	Screw	1	
319	A319	Lever Plate	1	
320	A320	Elastic Pin	1	
321	A321	Valve Cartridge	1	
322F	A322F	Pump for Quick Lifting	1	for Quick Lifting Pump
323	A323	Seal Washer	1	
324	A324	Screw Plug	1	
325	A325	Seal	1	
326	A326	O - Ring	1	
327	A327	Dust Ring	1	
328	A328M	Piston Rod	1	
329	A329	Steel Ball	1	
330	A330	Screw Plug	1	
331	A331	O - Ring	1	
332	A332	Bolt	1	
333	A333	Spring	1	
334	A334	Spindle of Safety Valve	1	
335	A335	Grease Cup	1	
337	A337	Cover of Bearing	1	
335F	A335F	Pin	1	Only for Quick Lifting Pump
336F	A336F	Cap of Pin	1	
337F	A337F	O - Ring	1	
338F	A338F	Pump Cylinder	1	



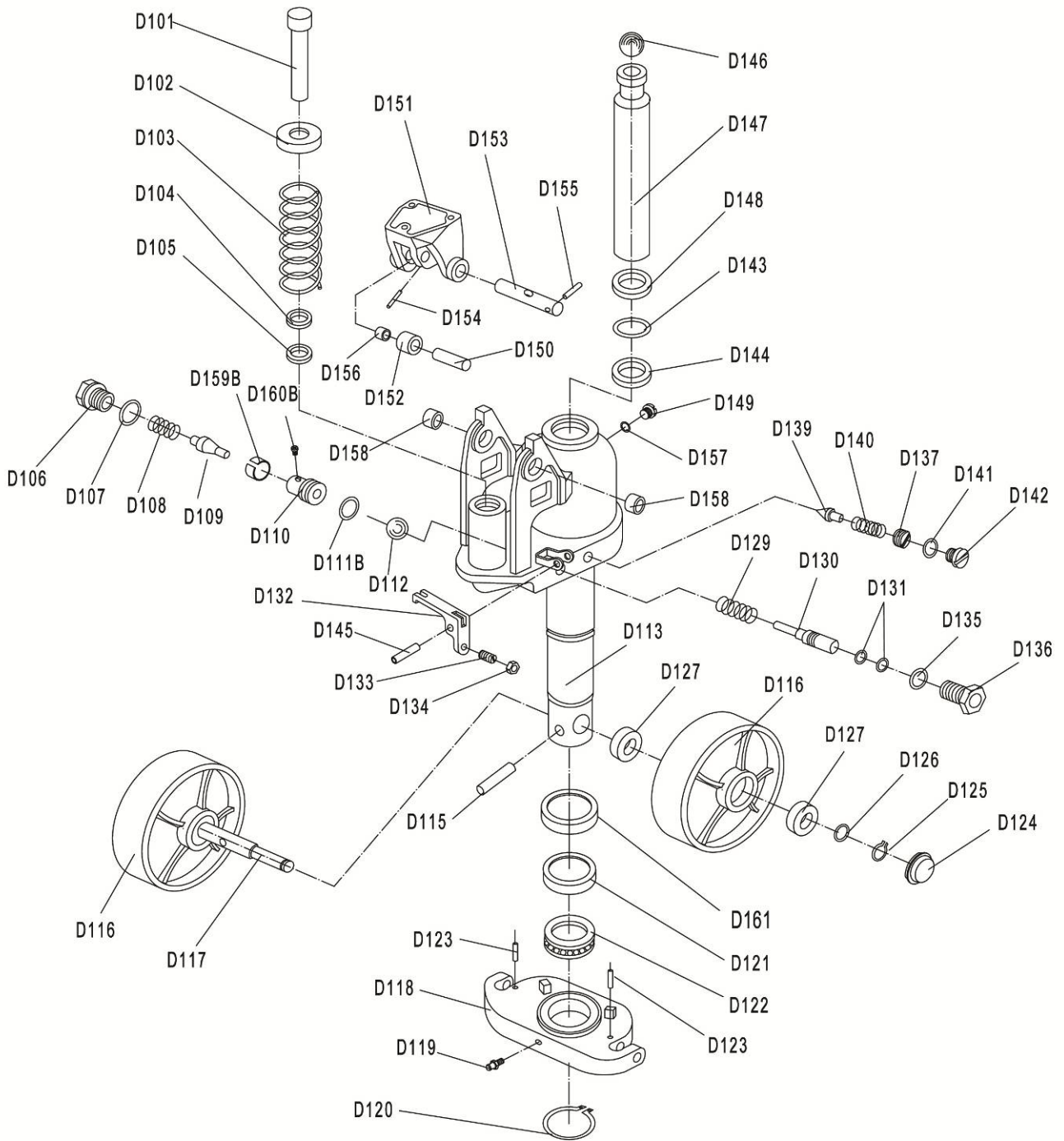
### 3.2 HPTC20 – Pump



### HPTC20 – Type A hydraulic pump parts list

No.	Part No.	Description	Qty.	Remark
301	C301	Pump Piston	1	
302	C302	Spring Cap	1	
303	C303	Spring	1	
304	C304	Dust Ring	1	
305	C305	Y – Seal	1	
306	C306	Cylinder	1	
307	C307	Bearing	4	
308	C308	Washer	2	
309	C309	Locking Ring	2	
310	C310	Dust Cover	2	
311	C311	Steering Wheel	2	
312	C312	Elastic Pin	1	
313	C313	Elastic Pin	1	
314	C314M	Cover of Bearing	1	
315	C315	Bearing	1	
316	C316	Elastic Pin	2	
317	C317M	Thrust Plate	1	
318	C318	Grease Cup	1	
319	C319	Retaining Ring	1	
320	C320	Shaft of Steering Wheel	1	
321	C321	Valve Cartridge	1	
322	C322M	Pump Body	1	
323	C323	Nut	1	
324	C324	Adjusting Screw	1	
325	C325	Lever Plate	1	
326	C326	Screw Plug	1	
327	C327	O – Ring	1	
328	C328	Adjusting Bolt	1	
329	C329	Spring	1	
330	C330	Spindle of Safety Valve	1	
331	C331	Screw	2	
332	C332	Cover of Oil Tank	1	
333	C333	Oil Tank	1	
334	C334	Plug of Tank	1	
335	C335	O – Ring	1	
336	C336	O – Ring	1	
337	C337	Y – Seal	1	
338	C338	O – Ring	1	
339	C339	O – Ring	1	
340	C340	Screw Cover of Pump	1	
341	C341	O – Ring	1	
342	C342	Dust Ring	1	
343	C343M	Piston Rod	1	
344	C344M	Bearing	1	
345	C345	Elastic Pin	1	
346	C346	Shaft with Hole	1	
347	C347	Bracket	1	
348	C348	Pin	1	
349	C349	Pressure Roller	1	
350	C350	Bushing	1	
351	C351	Elastic Pin	1	
352	C352	Bushing	2	
356	C356M	Retaining Ring	1	

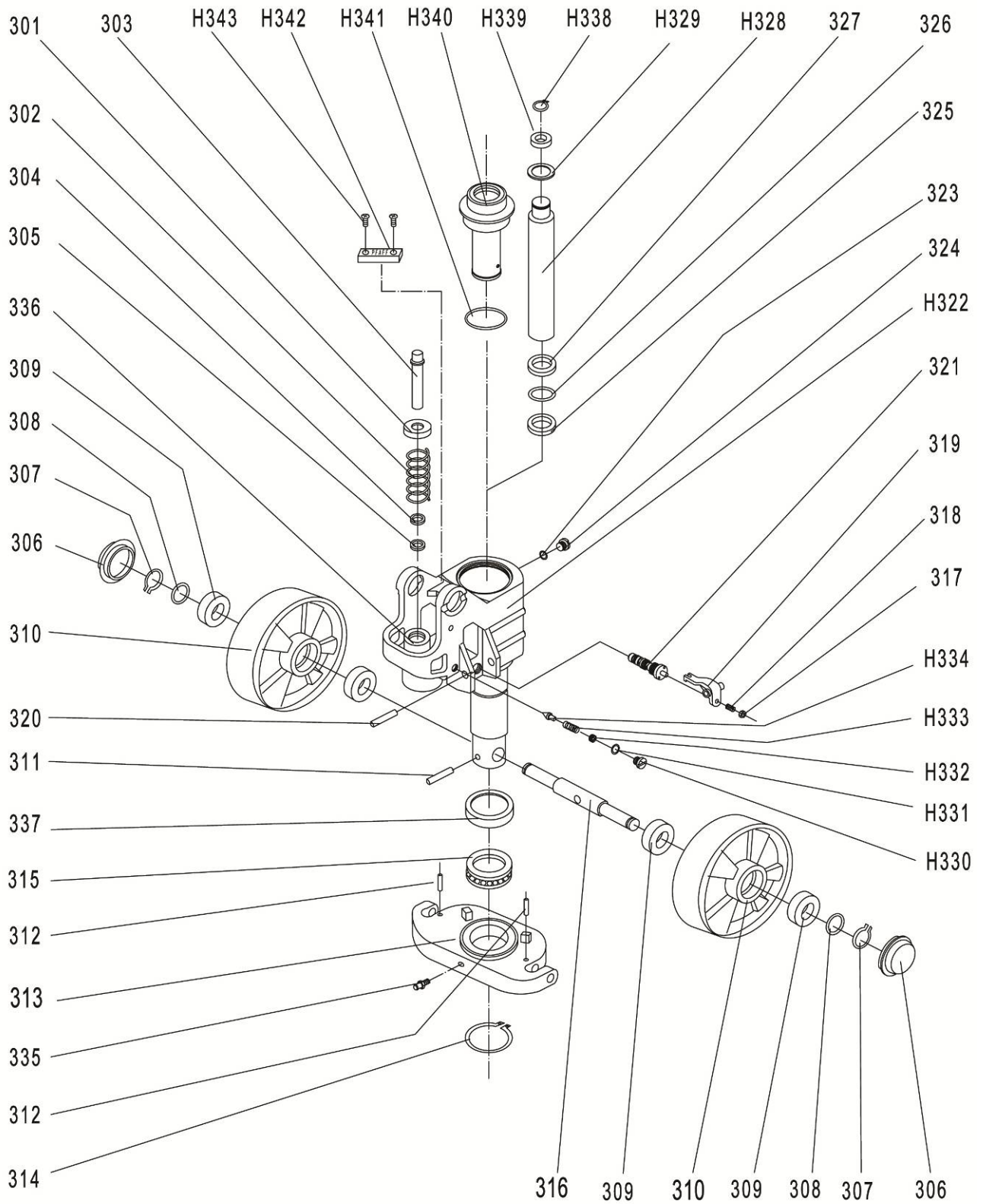
### 3.3 HPTD20 – Pump



### HPTD20 -- Hydraulic pump parts list

No.	Part No.	Description	Qty.	Remark
D101	D101	Pump Piston Rod	1	
D102	D102	Washer	1	
D103	D103	Spring	1	
D104	D104	Dust Ring	1	
D105	D105	Y – Seal	1	
D106B	D106B	Screw	1	
D107B	D107B	O – Ring	1	
D108	D108	Spring	1	
D109	D109	Spindle of Pumping Valve	1	
D110B	D110B	Seat of Pumping Valve	1	
D111B	D111B	O – Ring	1	
D112	D112	Steel Ball	1	
D113	D113M	Base of Pump	1	
D115	D115	Elastic Pin	1	
D116	D116	Steering Wheel	2	
D117D	D117D	Shaft of Steering Wheel	1	Same as A316
D118	D118M	Thrust Plate	1	Same as A313
D119	D119	Oil – holder	1	
D120	D120M	Retaining Ring	1	
D121	D121M	Cover of Bearing	1	
D122	D122M	Bearing	1	
D123	D123M	Elastic Pin	2	
D124	D124	Dust Cover	2	
D125D	D125D	Retaining ring	2	
D126D	D126D	Tab Washer	2	
D127	D127	Bearing	4	
D129	D129	Spring	1	
D130	D130	Strike Pin	1	
D131	D131	O – Ring	2	
D132	D132	Lever Plat	1	
D133	D133	Adjusting Screw	1	
D134	D134	Nut	1	
D135	D135	O – Ring	1	
D136	D136	Axle Sleeve	1	
D137	D137	Adjusting Bolt	1	
D139	D139	Spindle of Safety Valve	1	
D140	D140	Spring	1	
D141	D141	O – Ring	1	
D142	D142	Screw	1	
D143	D143	O – Ring	1	
D144	D144	Y – Seal	1	
D145	D145	Elastic Pin	1	
D146	D146	Steel Ball	1	
D147	D147M	Piston Rod	1	
D148	D148	Dust Ring	1	
D149	D149	Screw	1	
D150	D150	Shaft	1	
D151	D151	Bracket	1	
D152	D152	Pressure Roller	1	
D153	D153	Shaft	1	
D154	D154	Elastic Pin	1	
D155	D155	Elastic Pin	1	
D156	D156	Bushing	1	
D157	D157	Seal Washer	1	
D158	D158	Bushing	2	
D159B	D159B	Sleeve	1	
D160B	D160B	Screw	1	
D161	D161M	Washer	1	

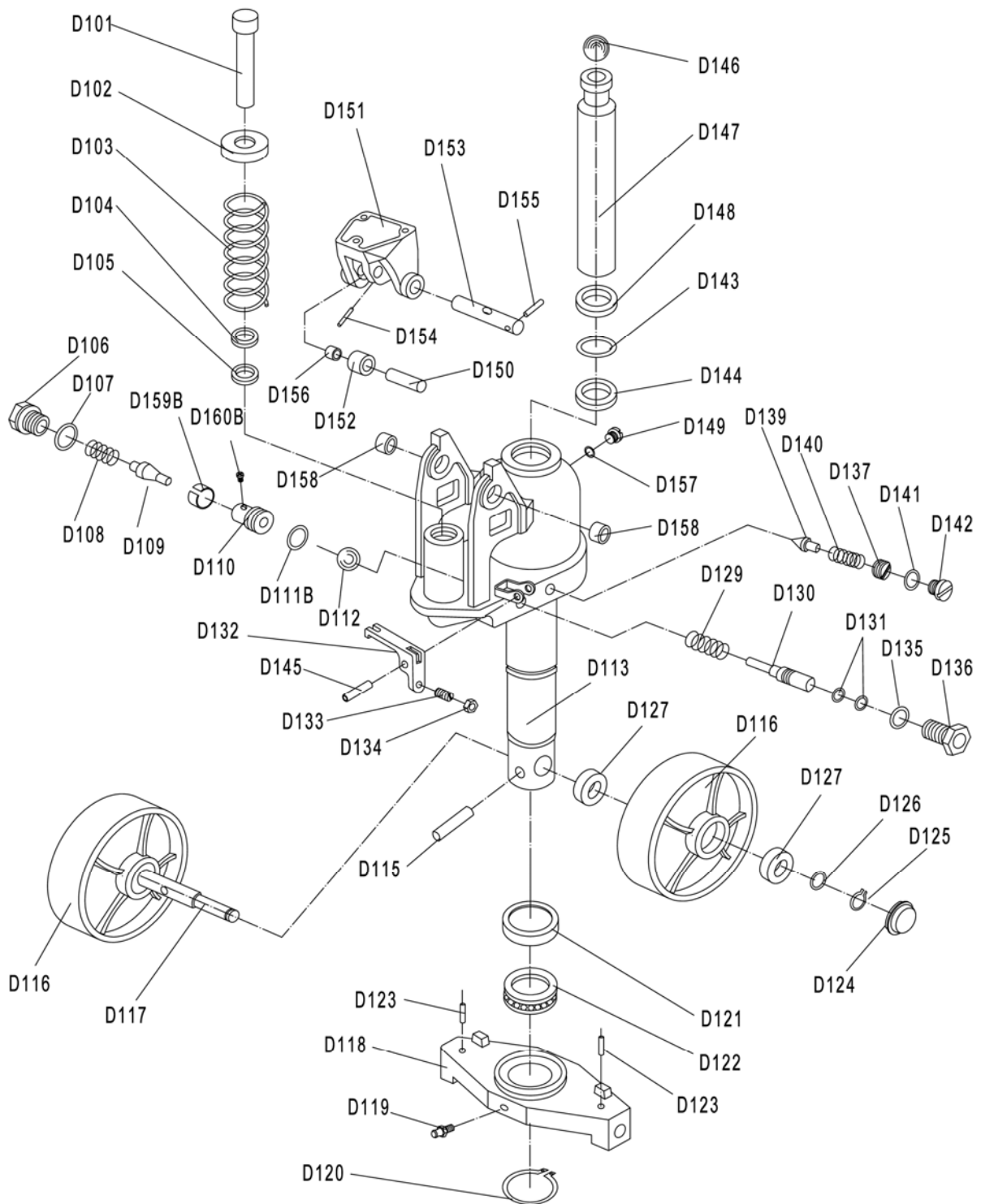
### 3.4 HPTW20 – Pump



## HPTW20 -- Pump parts list

No.	Part No.	Description	Qty.	Remark
301	A301	Spring Cap	1	
302	A302	Spring	1	
303	A303	Pump Piston	1	
304	A304	Dust Ring	1	
305	A305	Seal	1	
306	A306	Dust Cover	2	
307	A307	Locking Ring	2	
308	A308	Washer	2	
309	A309	Bearing	4	
310	A310	Loading Wheel	2	
311	A311	Elastic Pin	1	
312	A312	Elastic Pin	2	
313	A313	Thrust Plate	1	
314	A314	Retaining Ring	1	
315	A315	Bearing	1	
316	A316	Shaft of loading Wheel	1	
317	A317	Nut	1	
318	A318	Screw	1	
319	A319	Lever Plate	1	
320	A320	Elastic Pin	1	
321	A321	Valve Cartridge	1	
H322	H322	Pump Body	1	
323	A323	Seal Washer	1	
324	A324	Screw Plug	1	
325	A325	Seal	1	
326	A326	O – Ring	1	
327	A327	Dust Ring	1	
H328	H328	Piston Rod	1	
H329	H329	Washer	1	
H330	H330	Screw Plug	1	
H331	H331	Seal Washer	1	
H332	H332	Bolt	1	
H333	H333	Spring	1	
H334	H334	Spindle of Safety Valve	1	
335	A335	Grease Cup	1	
336	A336	Cylinder	1	
337	A337	Cover of Bearing	1	
H338	H338	Locking Ring	1	
H339	H339	Bearing	1	
H340	H340	Cover of Pump	1	
H341	H341	O - Ring	1	
H342	H342	Bar	1	
H343	H343	Screw	2	

### 3.5 HPTD20-E - Pump

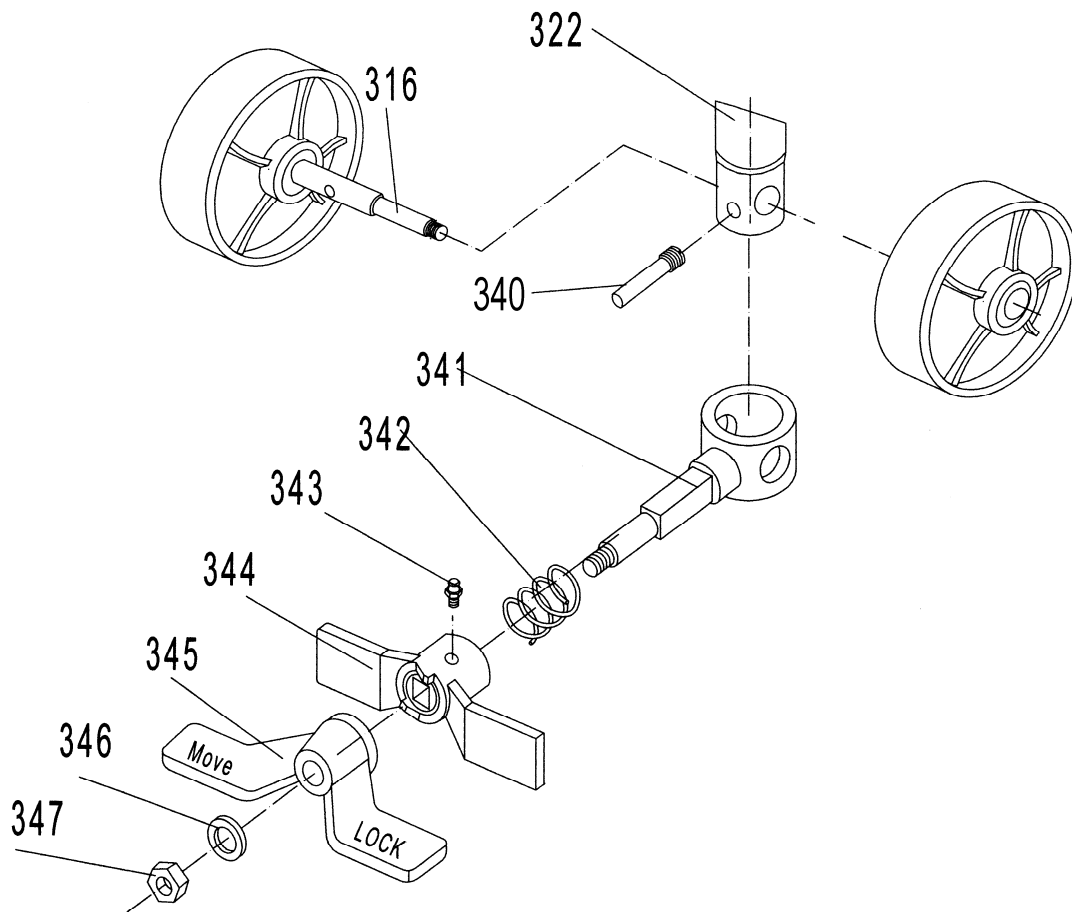


**HPTD20-E -- Hydraulic pump parts list**

<b>No.</b>	<b>Part No.</b>	<b>Description</b>	<b>Qty.</b>	<b>Remark</b>
D101	D101	Pump Piston Rod	1	
D102	D102	Washer	1	
D103	D103	Spring	1	
D104	D104	Dust Ring	1	
D105	D105	Y – Seal	1	
D106B	D106B	Screw	1	
D107B	D107B	O – Ring	1	
D108	D108	Spring	1	
D109	D109	Spindle of Pumping Valve	1	
D110B	D110B	Seat of Pumping Valve	1	
D111B	D111B	O – Ring	1	
D112	D112	Steel Ball	1	
D113	D113-EM	Base of Pump	1	
D115	D115	Elastic Pin	1	
D116	D116	Steering Wheel	2	
D117D	D117D-E	Shaft of Steering Wheel	1	
D118	D118-EM	Thrust Plate	1	
D119	D119	Oil – holder	1	
D120	D120M	Retaining Ring	1	
D121	D121M	Cover of Bearing	1	
D122	D122M	Bearing	1	
D123	D123M	Elastic Pin	2	
D124	D124	Dust Cover	2	
D125D	D125D	Retaining ring	2	
D126D	D126D	Tab Washer	2	
D127	D127	Bearing	4	
D129	D129	Spring	1	
D130	D130	Strike Pin	1	
D131	D131	O – Ring	2	
D132	D132	Lever Plat	1	
D133	D133	Adjusting Screw	1	
D134	D134	Nut	1	
D135	D135	O – Ring	1	
D136	D136	Axle Sleeve	1	
D137	D137	Adjusting Bolt	1	
D139	D139	Spindle of Safety Valve	1	
D140	D140	Spring	1	
D141	D141	O – Ring	1	
D142	D142	Screw	1	
D143	D143	O – Ring	1	
D144	D144	Y – Seal	1	
D145	D145	Elastic Pin	1	
D146	D146	Steel Ball	1	
D147	D147M	Piston Rod	1	
D148	D148	Dust Ring	1	
D149	D149	Screw	1	
D150	D150	Shaft	1	
D151	D151	Bracket	1	
D152	D152	Pressure Roller	1	
D153	D153	Shaft	1	
D154	D154	Elastic Pin	1	
D155	D155	Elastic Pin	1	
D156	D156	Bushing	1	
D157	D157	Seal Washer	1	
D158	D158	Bushing	2	
D159B	D159B	Sleeve	1	
D160B	D160B	Screw	1	



## 4 Option: Foot Brake



No.	Part No.	Description	Qty.	Remark
316		Shaft of steering wheel	1	
322		Pump Body	2	
340	BK340	Pin	1	
341	BK341/180	Holding Sleeve	1	For 180*50 big wheel
	BK341/200			For 200*50 big wheel
342	BK342	Spring	1	
343	BK343	Oil – holder	1	
344	BK344	Brake Plate	1	
345	BK345	Pedal	1	
346	BK346	Washer	1	
347	BK347	Locking Nut	1	